


FRESH TL-P

Air supply vent • 2004-01-01



Standard approval
certification

 SWEDCERT
nr. 0034

- Variable airflow-adjustment
- Condensation protected
- Adjustable distribution pattern
- Built-in minimumflow
- Several filter-alternatives

Fresh TL-P

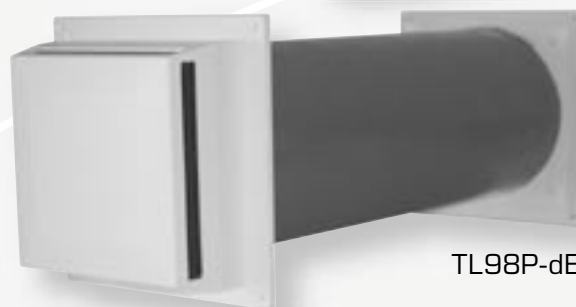
A flexible air ventilator for wall mounting, designed to provide a continuous airflow into the building/house. TL is also available in a sound reduced model (TL80/98P-dB).



TL80P



TL98P



TL98P-dB



TL80P-dBS

Specification

Product	Description	Art no
TL-80P	Complete vent with wall pipe Ø81/85 mm	628000
TL-98P	Complete vent with wall pipe Ø98/102 mm	629800
TL-P	Internal part	249800
TL-80P-dB	Complete sound-reducing vent, wall pipe Ø81/148 x 400 mm	638000
TL-80P-dBS	Complete sound-reducing vent, wall pipe Ø81/124 x 400 mm	638024
TL-98P-dB	Complete sound-reducing vent, wall pipe Ø98/148 x 400 mm	639800

The vent can easily be adjusted to suit special requests (larger coverplates, other dB-pipe lengths etc).

Technical facts

Capacity:	8,8 l/s for TL98P and 7,8 l/s for TL80P at 10 Pa
Wall opening:	Ø88, Ø105, Ø125 or Ø150 mm depending on model
Material:	ABS plastic (recyclable)
Colour:	White, RAL 9010

 Fresh[®]
Ventilation

FRESH TL-P

Air supply vent • 2004-01-01

Description/function

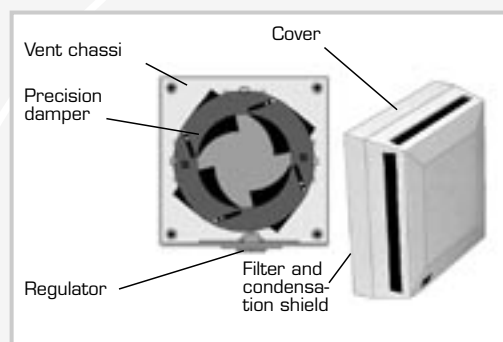
Internal part

The vent is supplied with condensation shield, easily removed standard filter and variable precision damper for exact adjustment of the airflow. The precision damper is adjustable by a regulator with a 1-10 scale located underneath the vent.

It can also be regulated by cord (for disabled). The airflow can be directed with air direction plugs.

If a fixed airflow is requested the regulator needs to be removed and replaced with a locking plate. A more detailed instruction is included in the mounting instruction.

Filters available are Standard filter and Allergy filter (EU3).



Sound-reduced wall vent

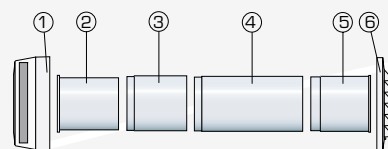
The sound-reduced model has another wall pipe than the standard vent. Besides the dB-pipe it also contains a two cover plates and two short adapters. The sound-reduced wall pipe has a standard length of 400mm. The tube can however easily be cut to requested length (max.1200mm).

Mounting

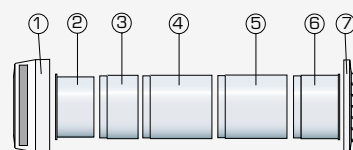
A high placing is recommended, preferably above a radiator. With this solution the incoming air get mixed with the convection flow of warm air, ensuring maximum comfort.

The vent can also be used in rooms with underfloor heating as long as the bottom-opening of the vent is covered with two air-direction plugs.

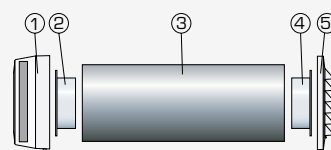
TL80P		
Pos.	Description (mm)	Art no
1	TL-P internal part	249800
2	Adapter 8 int. Ø81 x 90	660890
3	Wall pipe Ø81/85 x 75	660875
4	Wall pipe Ø81/85 x 150	800150
5	Adapter 8 ext. Ø81/85 x 90	660892
6	External grille #150	801701



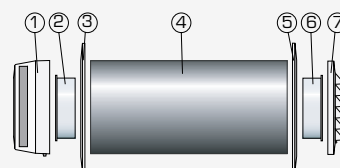
TL98P		
Pos.	Description (mm)	Art no
1	TL-P internal part	249800
2	Adapter 10 int. with rainstop 98x60	661061
3	Wall pipe Ø98/102 x 50	661050
4	Wall pipe Ø98/102 x 100	188009
5	Wall pipe Ø98/102 x 100	188009
6	Adapter 10 ext. 102x60	661063
7	External grille #150	801701



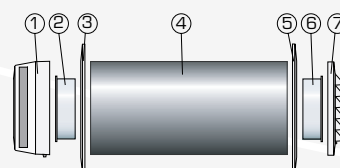
TL80P-dBS		
Pos.	Description (mm)	Art no
1	TL-P internal part	249800
2	Adapter 8 internal 81x30	660830
3	dB-S pipe Ø80/124, L=400mm	668003
4	Adapter 8 internal 81x30	660830
5	External grille #150	801701



TL80P-dB		
Pos.	Description (mm)	Art no
1	TL-P internal part	249800
2	Adapter 8 internal 81x30	880830
3	Cover plate #180 mm	661801
4	dB-pipe Ø81/148, L=400	806004
5	Cover plate #180 mm	661801
6	Adapter 8 internal 81x30	660830
7	External grille #150	801701



TL98P-dB		
Pos.	Description (mm)	Art no
1	TL-P internal part	249800
2	Adapter 10 internal Ø98 x 30	661030
3	Cover plate #180	661801
4	dB-pipe Ø98/148, L=400	855004
5	Cover plate #180 mm	661801
6	Adapter 10 internal Ø98 x 30	661030
7	External grille #150	801701



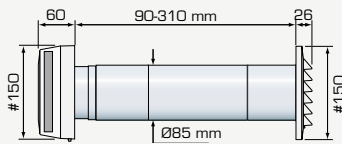
The manufacturer reserves the right to make specification changes without notice.

FRESH TL-P

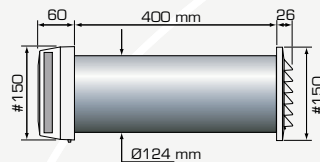
Air supply vent • 2004-01-01

Technical data	
Material:	ABS plastic (recyclable)
Colour:	White, RAL 9010
Capacity TL80P at 10 Pa:	7,8 l/s
Capacity TL98P at 10 Pa:	8,8 l/s
Wall opening TL80P:	Ø86mm
Wall opening TL98P:	Ø105mm
Wall opening TL80P-dBS:	Ø125mm
Wall opening TL80P-dB, TL98P-dB:	Ø150mm
Max wall thickness TL80P (standard):	310 mm
Max wall thickness TL98P (standard):	350mm
<i>Additional pipes can be used for thicker walls</i>	
Max wall thickness dBS-models (standard):	400mm
<i>For thicker walls please contact Fresh AB</i>	

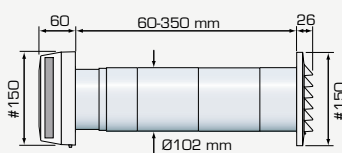
Dimensions TL80P



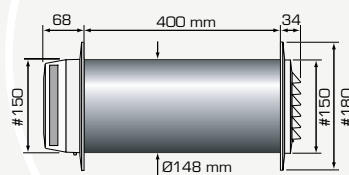
Dimensions TL80P-dBS



Dimensions TL98P



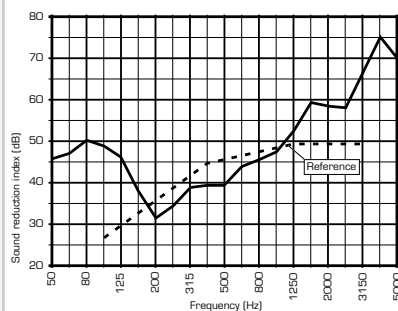
Dimensions TL80P-dB, TL98P-dB



Sound data

Sound reduction with fully open ventilator and 400 mm wall. The test has been made according to ISO 140-10. Normalized level diff. for building section, calculation based on 10 m².

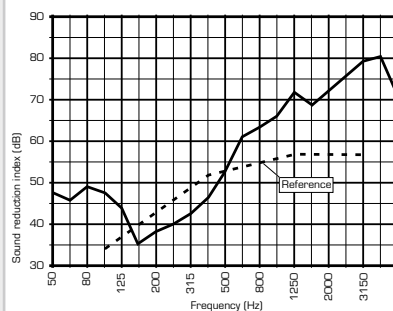
TL80P-dBS



$D_{n,e,w}$ 45 dB
 $D_{n,e,w,8}$ 45 dB

(C;Ctr) (0;-3) Sum. Dev. 24,5
 (C;Ctr) (1;-3) Max. Dev. 5,4
 50-5000 Frequency 500

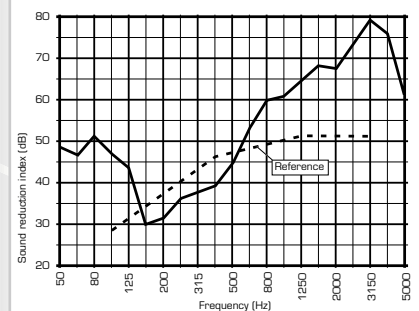
TL80P-dB



$D_{n,e,w}$ 53 dB
 $D_{n,e,w,8}$ 53 dB

(C;Ctr) (-1;-5) Sum. Dev. 28,3
 (C;Ctr) (0;-4) Max. Dev. 6,3
 50-5000 Frequency 315

TL98P-dB

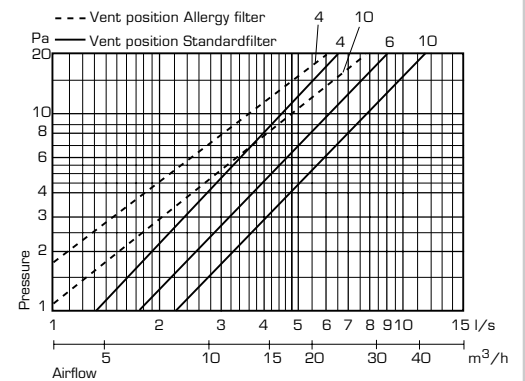


$D_{n,e,w}$ 47 dB
 $D_{n,e,w,8}$ 47 dB

(C;Ctr) (-1;-4) Sum. Dev. 27,1
 (C;Ctr) (0;-4) Max. Dev. 6,7
 50-5000 Frequency 315

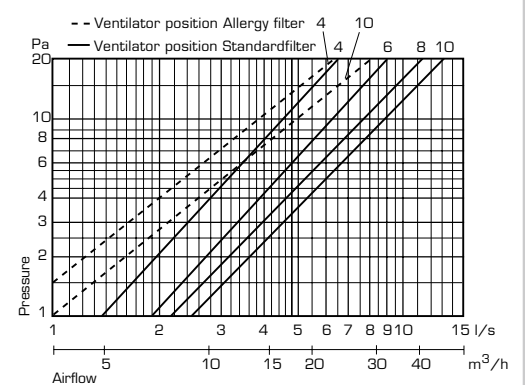
Capacity TL80P

Ventilator position = scale



Capacity TL98P

Ventilator position = scale

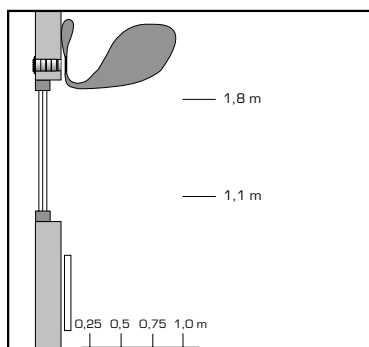


FRESH TL-P

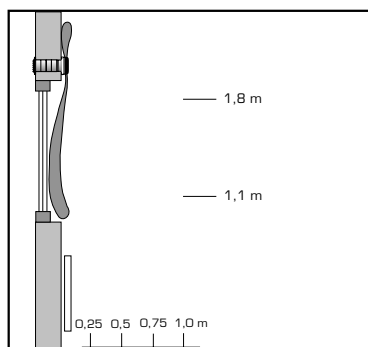
Air supply vent • 2004-01-01

Distribution pattern

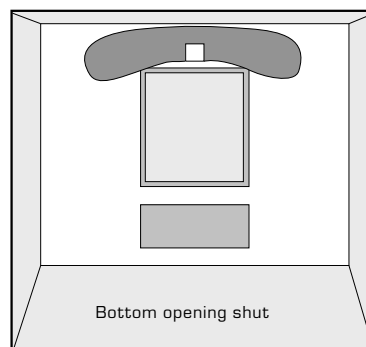
As shown in the diagrams below TL-P can handle up to 8 l/s even at -20°C without any draught problems. The shaded areas indicates air movements above 0.15 m/s.



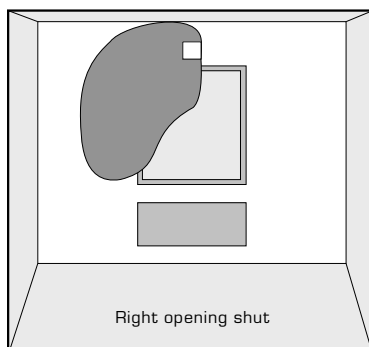
Radiator heat, from the side
Airflow 8 l/s, indoor temperature +20°C
Capacity of radiator 750 W,
Outdoor temperature -20°C



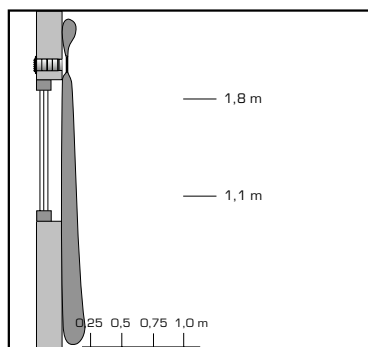
Radiator heat, from the side
Airflow 8 l/s, indoor temperature +20°C
Capacity of radiator 400 W,
Outdoor temperature ±0°C



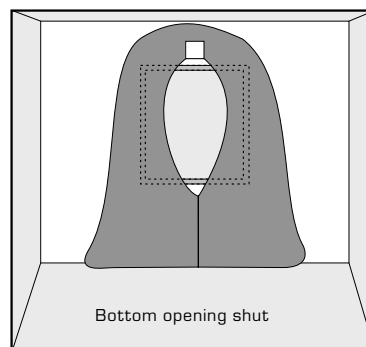
Radiator heat, from the front
Airflow 6 l/s, indoor temperature +20°C
Capacity of radiator 400 W,
Outdoor temperature ±0°C



Radiator heat, from the front
Airflow 6 l/s, indoor temperature +20°C
Capacity of radiator 400 W,
Outdoor temperature ±0°C



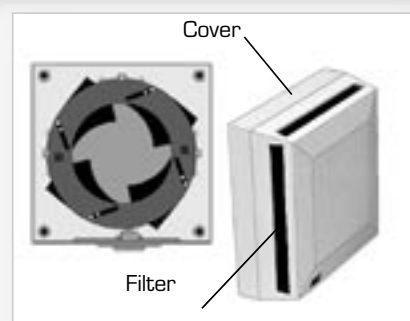
Floor heating, from the side
Airflow 8 l/s, indoor temperature +20°C
Floor heat 60 W/m²,
Outdoor temperature -10°C



Floor heating, from the front
Airflow 8 l/s, indoor temperature +20°C
Floor heat 60 W/m²
Outdoor temperature -10°C

Maintenance

It is important to keep the filter clean in order to ensure correct airflow and to retain good air quality. We recommend to wash/replace the filter 1-2/year. The standard filter is washable (use a gentle soap/detergent). The allergy filter should be replaced with a new one. The filter is mounted inside the cover and is easily removed by hand.



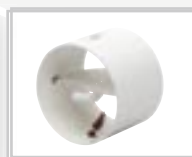
Accessories



Wall pipe
Available in different sizes and lengths.



Cover plate
Available in different sizes and colours.



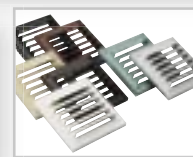
Storm shield
Ø98mm
Protection against heavy winds and water penetration.



Filters
Standard and Allergy (EU3).



Rain-shield



External grille
Available in different sizes and colours.



FRESH AB
Box 7
SE-360 32 GEMLA

Telephone +46 (0)470 70 77 00
Fax +46 (0)470 70 77 39

E-mail information@fresh.se