

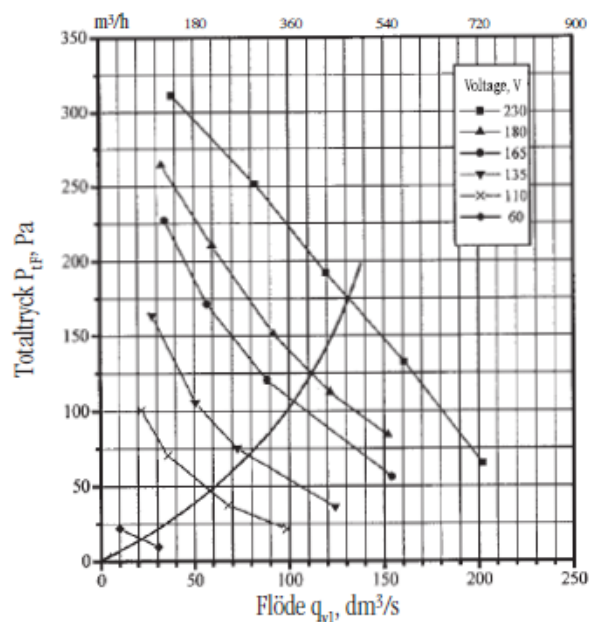
# Takfläktar

## E220 & XL-E220



### E220P/160/500

VTT Testrapport  
Nr RTE 10514/99



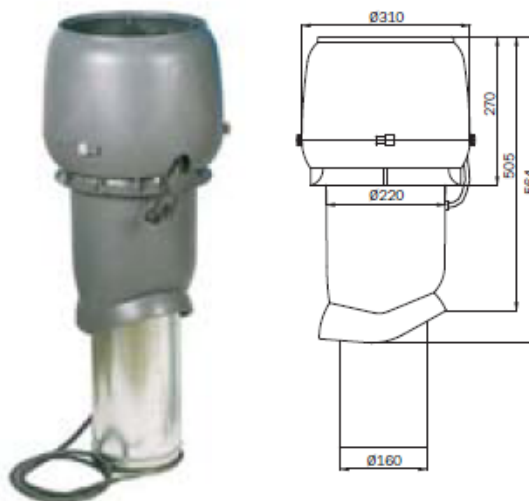
### TEKNISK DATA

Fläkttyp	E220
Märkeffekt	85W
Märkström	0,38A
Spänning	230V/50Hz
Varvtal	2600r/min
Kondensator	3µF
Motortyp	R2E220 AA40
Varvregulator	ystor eller 5-steps-transformator

### FLÄKT- OCH LJUDDATA

E220P/160	60V	110V	135V	165V	180V	230V	
$q_{v1}$	dm³/s	30.4	67.8	72.7	88.5	121.6	160.6
$p_{tP}$	Pa	9	37	74	118	110	130
PE	W	10.0	30.0	43.0	60.7	69.0	99.0
$\eta_{tE}$	-	0.028	0.083	0.125	0.172	0.194	0.211
n	1/min	518	1077	1386	1727	1892	2266
LW63	dB	45.6	52.9	61.7	64.6	60.1	62.2
LW125	dB	50.0	66.0	71.5	76.3	72.2	74.3
LW250	dB	42.8	59.4	64.8	70.4	67.9	70.5
LW500	dB	26.2	48.5	52.7	58.1	61.1	65.0
LW1000	dB	35.0	49.6	53.5	57.8	60.7	64.6
LW2000	dB	21.0	40.4	47.0	52.5	56.2	60.8
LW4000	dB	*	30.4	39.1	45.9	49.0	56.6
LW8000	dB	*	*	24.8	34.0	38.0	44.3
LW	dB	52.0	67.2	72.8	77.7	74.3	76.8
LWA	dB (A)	39.6	56.0	61.2	66.4	66.1	69.7

### E220P/160/IS/500



### E220S/160



### XL E220P/160/500

